

Combined and indirectly heated storage tanks

Floor standing storage tanks with high output heat exchanger

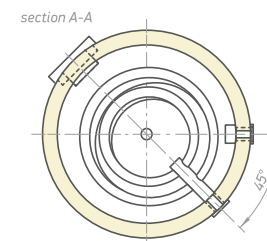
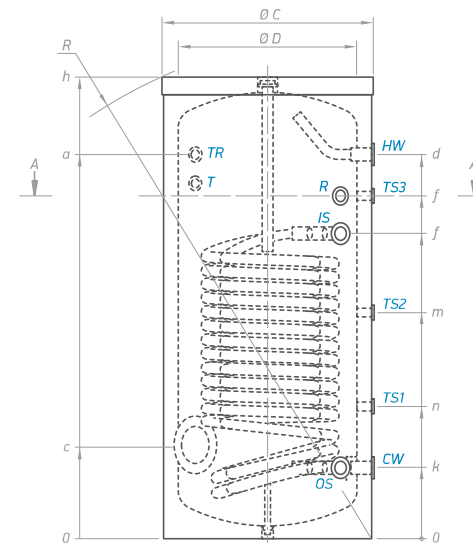


MODEL		WWSP200E	WWSP300E	WWM500E
Capacity	L	196	285	475
Net weight	kg	85	112	182
Insulation (rigid PU)	mm	50	50	50
Heat exchanger surface S1	m <sup>2</sup>	2.1	3	6
Heat exchanger capacity S1	L	12.5	18.3	33
Exchanged power in continuous mode (max coil output) S1 *60-80 / 70-90°C	kW	51 / 69	91 / 123	138 / 186
Continuous flow rate of DHW at ΔT 35°C (S1) *60-80 / 70-90°C	L/h	1266 / 1704	2238 / 3018	3390 / 4566
Maximum quantity of drawn off water MX 45°C (**15-60°C), Power input cut off (S1)	L	282	450	750
Heat losses ΔT 45K	kWh/24h	1.4	1.7	2.3
Energy efficiency class		B	B	C
Maximum operational temperature	°C	95	95	95
Maximum operational temperature of heat exchanger	°C	110	110	110
Rated pressure	bar	8	8	8
Rated pressure of the heat exchanger	bar	6	6	6
Thermo pockets	pieces	3	3	3

\* - outlet - inlet temperature of the heat transfer fluid

\*\* - 15°C - cold water temperature, 60°C - hot water temperature (domestic water)

Dimensions ±5 mm				
h	mm	1202	1420	1670
a	mm	996	1184	1447
c	mm	264	278	282
d	mm	996	1184	1447
i	mm	792	937	1303
k	mm	202	205	225
l	mm	897	1055	1162
m	mm	633	691	864
n	mm	360	398	467
R	mm	1345	1560	1823
Ø C	mm	600	650	750
Ø D	mm	500	550	650



	WWSP200E	WWSP300E	WWSP500E
CW	- cold water inlet	G 1"	G 1"
HW	- hot water outlet	G 1"	G 1"
IS	- heat exchanger inlet	G 1"	G 1"
OS	- heat exchanger outlet	G 1"	G 1"
R	- recirculation	G 3/4"	G 3/4"
T	- thermometer	Ø 14 x 1.5	Ø 14 x 1.5
TR	- opening for thermoregulator	G 1/2"	G 1/2"
TS1	- thermo pocket level 1	G 1/2"	G 1/2"
TS2	- thermo pocket level 2	G 1/2"	G 1/2"
TS3	- thermo pocket level 3	G 1/2"	G 1/2"

Thread designations according to EN ISO 228-1/